

University of Kentucky

Design Standard

274100D04

Standard Dual Projection Classroom



University of Kentucky
ITS AV Services

Lexington, KY 40506
859-323-6455

274100D04 Double Projection
Classroom Schematics
Revised 04/2026

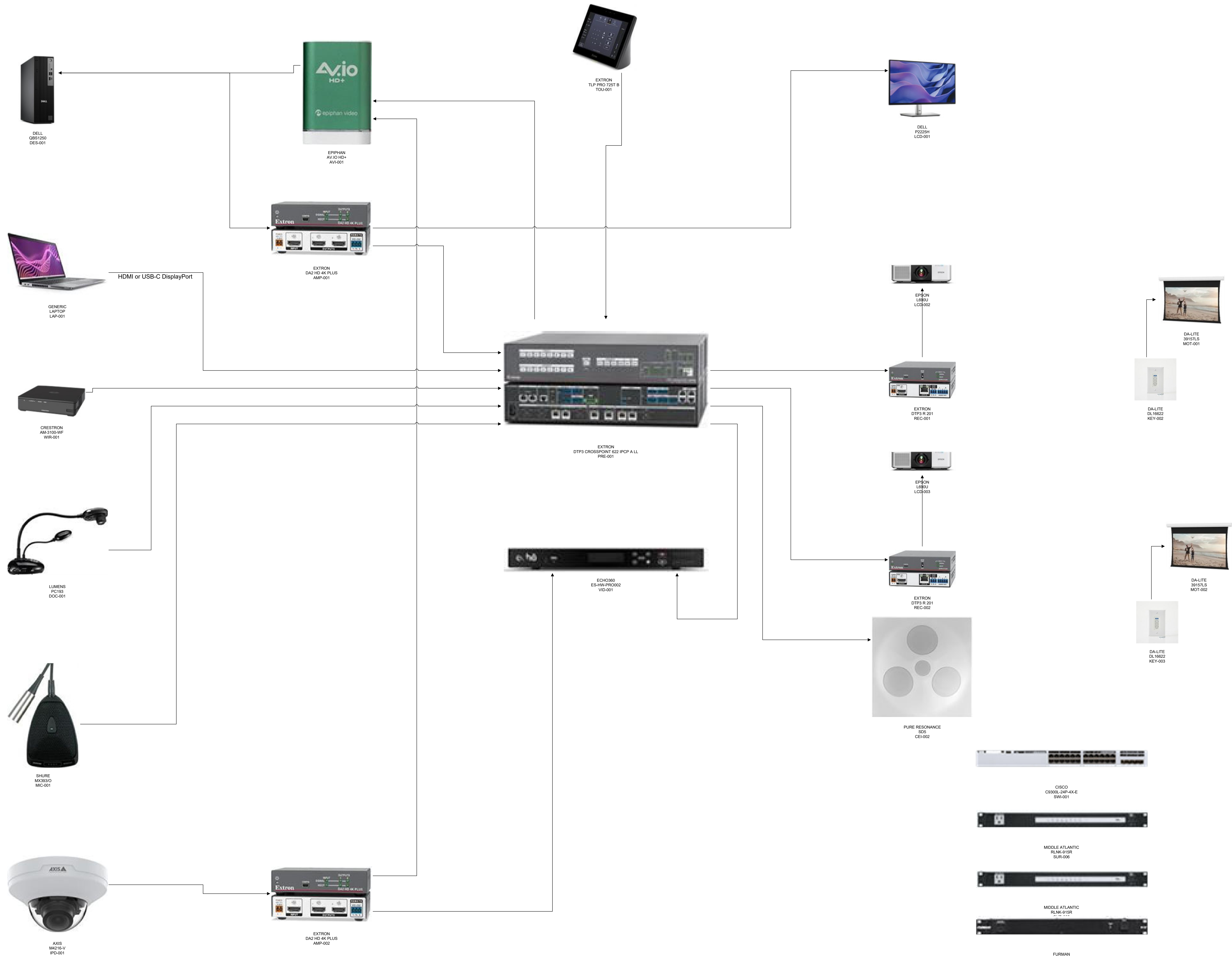
Created 9/6/2024
Modified 4/30/2026

Standard Dual Projection
Classroom

Cover Sheet



University of Kentucky
ITS AV Services
Lexington, KY 40506
859-323-6455



274100D04 Double Projection
Classroom Schematics
Revised 04/2026

Scale: 3/4" = 1'-0"

Created 9/6/2024
Modified 4/30/2026

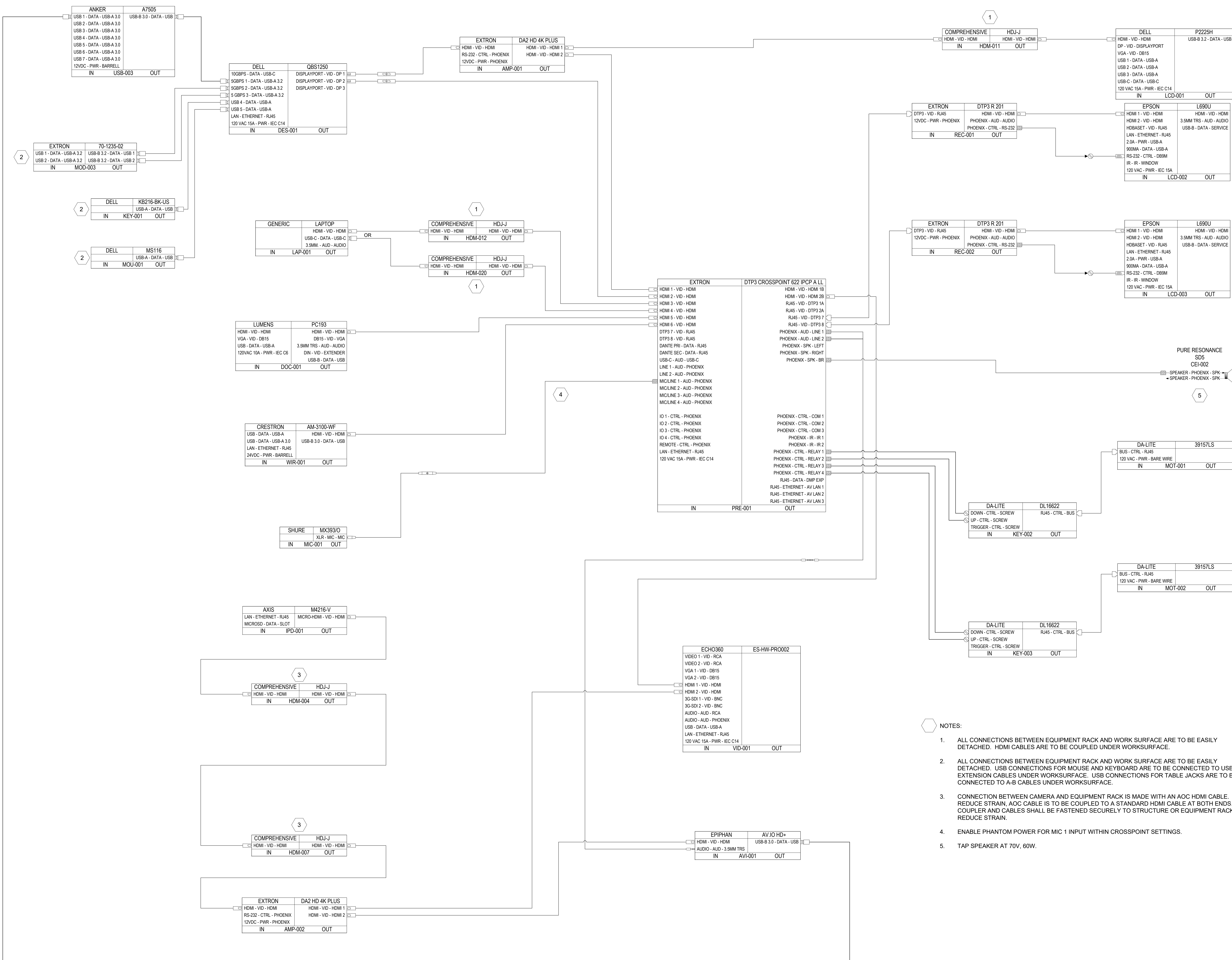
Standard Dual Projection
Classroom

Line Diagram



University of Kentucky
ITS AV Services

Lexington, KY 40506
859-323-6455



- NOTES:
- ALL CONNECTIONS BETWEEN EQUIPMENT RACK AND WORK SURFACE ARE TO BE EASILY DETACHED. HDMI CABLES ARE TO BE COUPLED UNDER WORKSURFACE.
 - ALL CONNECTIONS BETWEEN EQUIPMENT RACK AND WORK SURFACE ARE TO BE EASILY DETACHED. USB CONNECTIONS FOR MOUSE AND KEYBOARD ARE TO BE CONNECTED TO USB EXTENSION CABLES UNDER WORKSURFACE. USB CONNECTIONS FOR TABLE JACKS ARE TO BE CONNECTED TO A-B CABLES UNDER WORKSURFACE.
 - CONNECTION BETWEEN CAMERA AND EQUIPMENT RACK IS MADE WITH AN AOC HDMI CABLE. TO REDUCE STRAIN, AOC CABLE IS TO BE COUPLED TO A STANDARD HDMI CABLE AT BOTH ENDS. COUPLER AND CABLES SHALL BE FASTENED SECURELY TO STRUCTURE OR EQUIPMENT RACK TO REDUCE STRAIN.
 - ENABLE PHANTOM POWER FOR MIC 1 INPUT WITHIN CROSSPOINT SETTINGS.
 - TAP SPEAKER AT 70V, 60W.

274100D04 Double Projection
Classroom Schematics
Revised 04/2026

Scale: 3/4" = 1'-0"

Created 9/6/2024
Modified 4/30/2026

Standard Dual Projection
Classroom

Audio, Video, and Control
Schematic



University of Kentucky
ITS AV Services

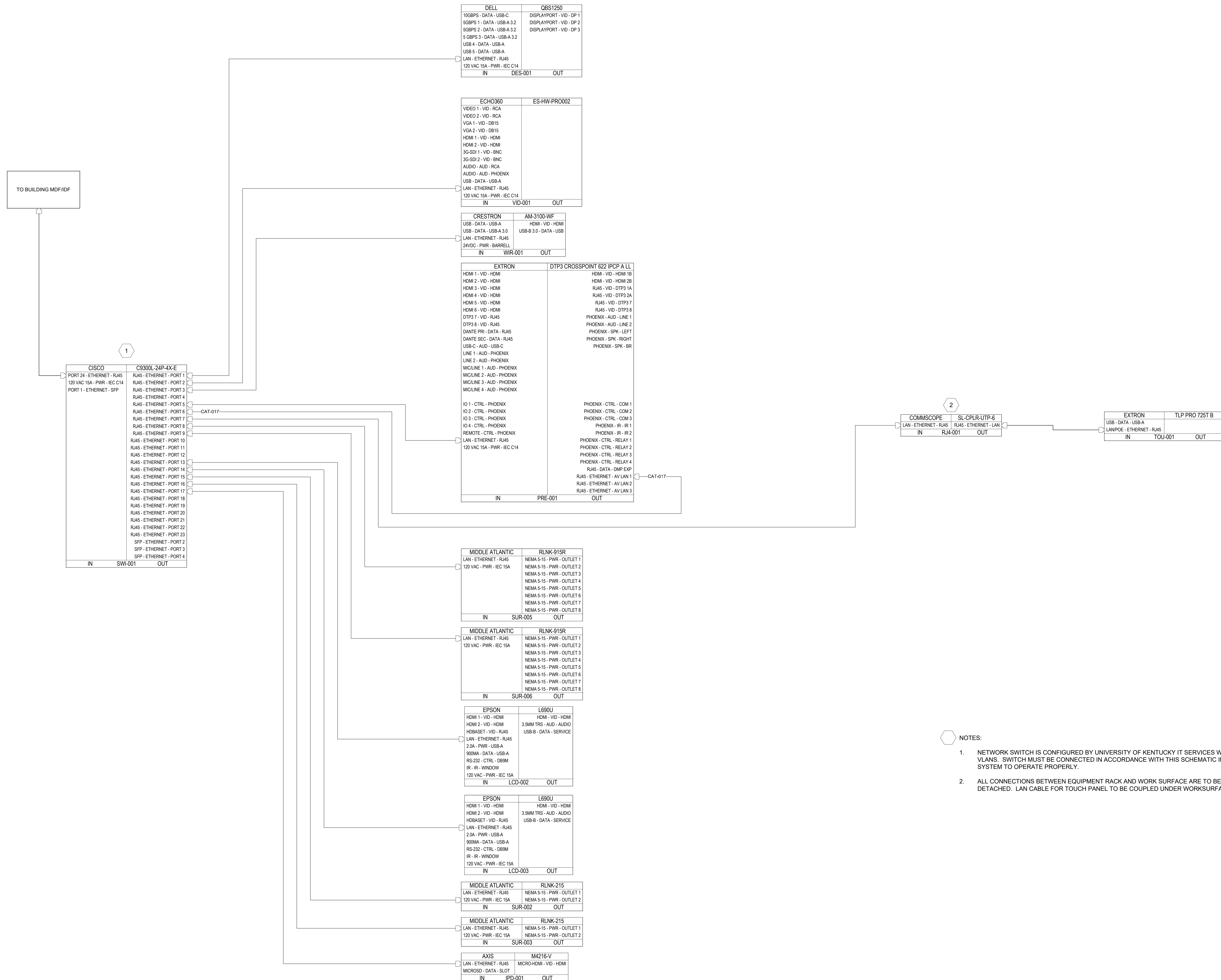
Lexington, KY 40506
859-323-6455

274100D04 Double Projection
Classroom Schematics
Revised 04/2026

Created 9/6/2024
Modified 4/30/2026

Standard Dual Projection
Classroom

Network Schematic





University of Kentucky
ITS AV Services

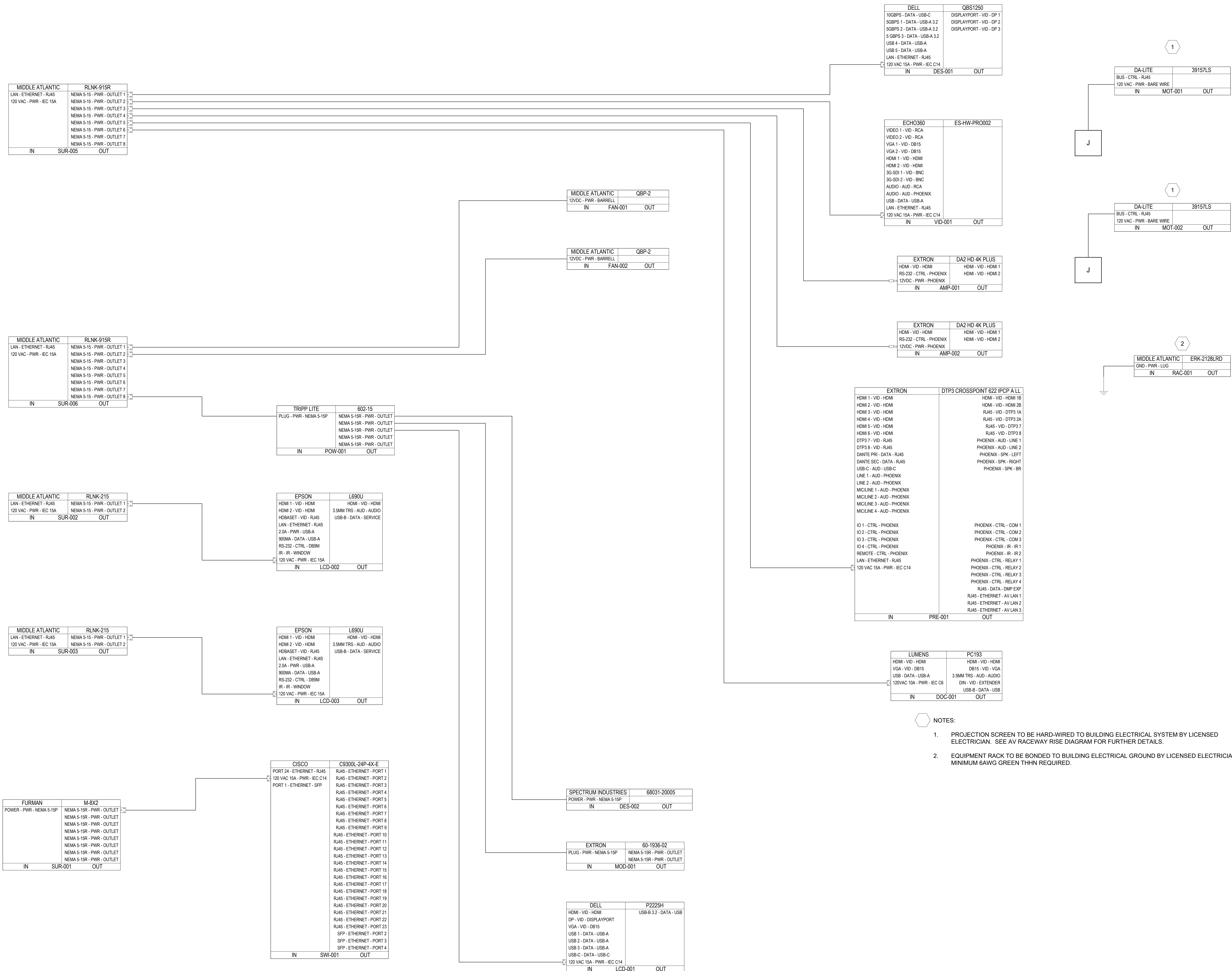
Lexington, KY 40506
859-323-6455

274100D04 Double Projection
Classroom Schematics
Revised 04/2026

Created 9/6/2024
Modified 4/30/2026

Standard Dual Projection
Classroom

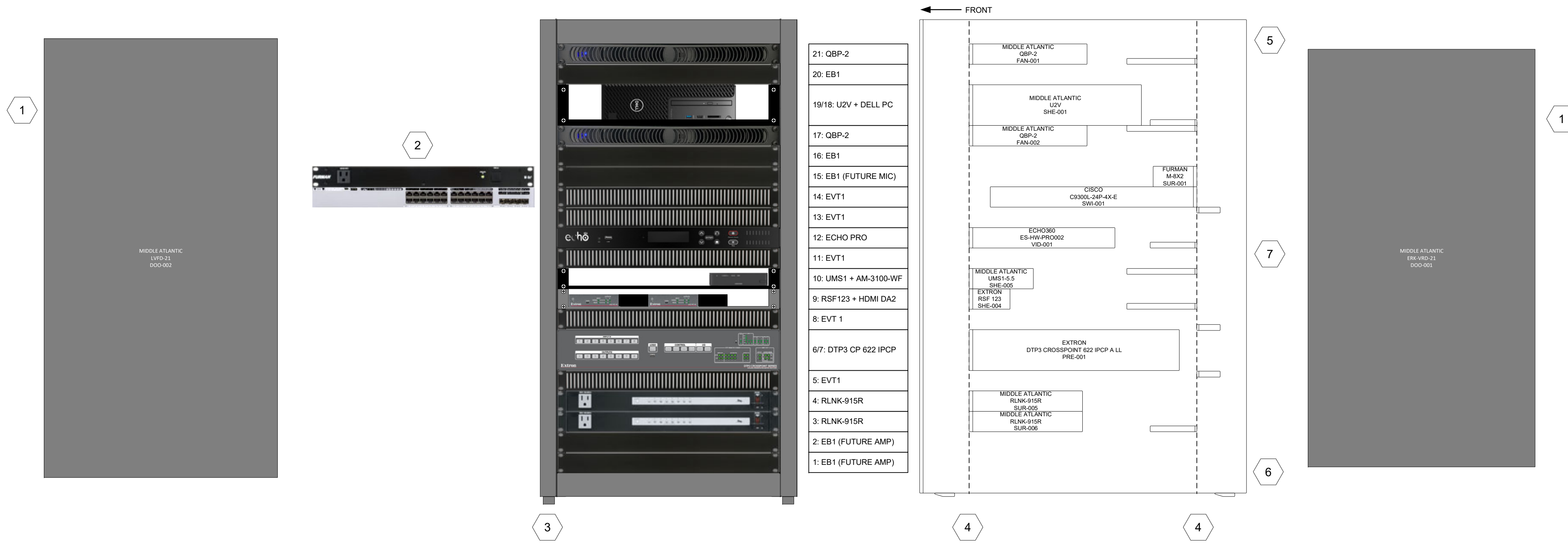
Power Schematic





University of Kentucky
ITS AV Services

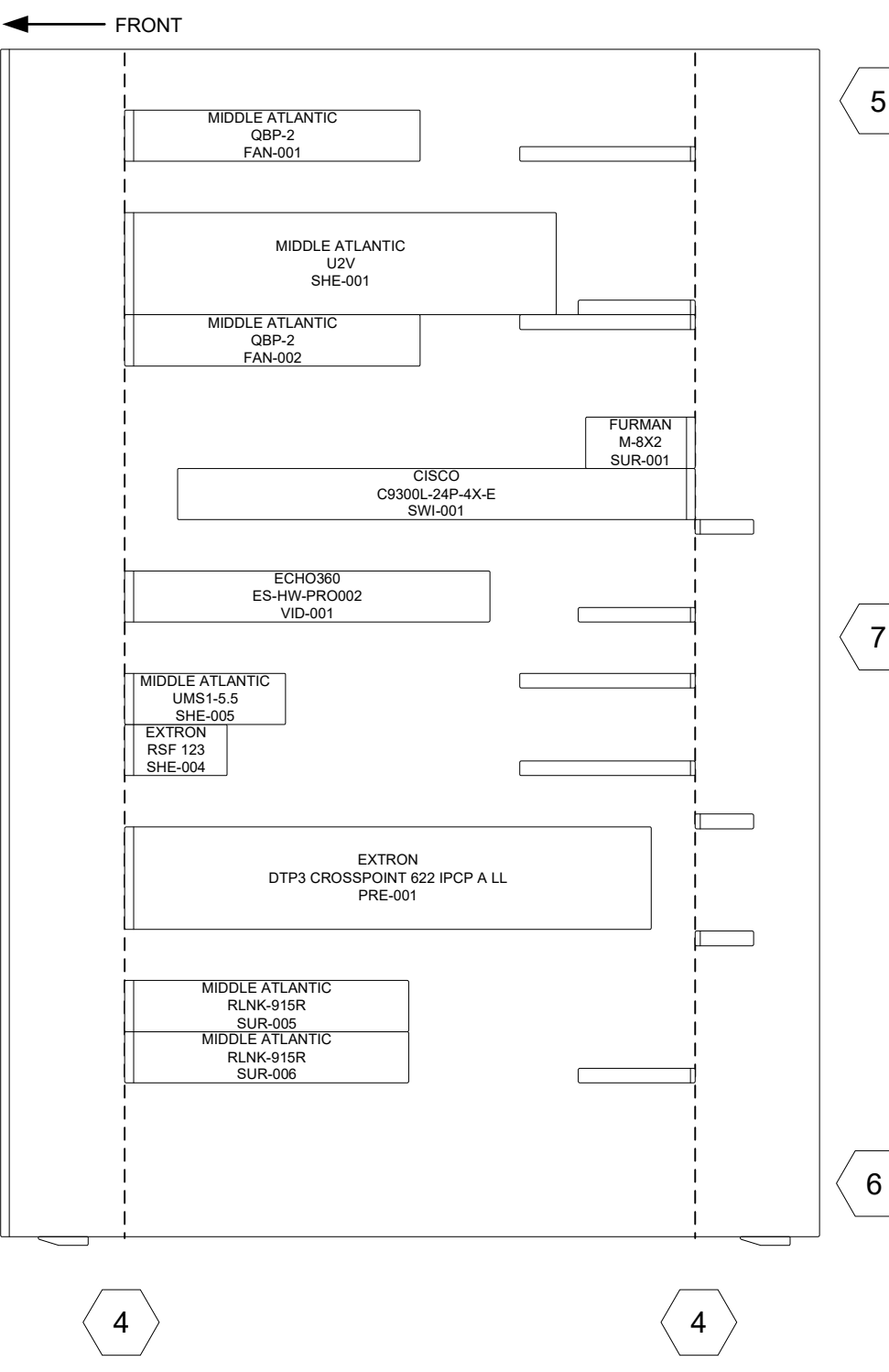
Lexington, KY 40506
859-323-6455



- NOTES:
- FRONT AND REAR DOORS TO BE HINGED ON SIDE CLOSEST TO WALL. FRONT DOOR TO HAVE THUMB LOCK INSTALLED. KEY LOCK AND KEYS FOR REAR DOOR TO BE PROVIDED TO UK AV SERVICES REPRESENTATIVE PRIOR TO COMPLETION.
 - NETWORK SWITCH AND SWITCH'S POWER CONDITIONER TO BE MOUNTED TO REAR RACKRAILS IN THESE RACK SPACES. COORDINATION WITH UK ITS NETWORKING WILL BE REQUIRED.
 - RACK MUST HAVE ISOLATION FEET ATTACHED.
 - FRONT AND REAR RACKRAILS TO BE INSET 3".
 - TOP REAR MIDDLE 1.5" KNOCKOUT TO BE REMOVED FOR CABLE ENTRY FROM DOCUMENT CAMERA. KNOCKOUT OPENING TO BE PROTECTED WITH 1.5" RUBBER GROMMET OR RING.
 - BOTTOM REAR OUTER-MOST 1.5" KNOCKOUT ON LEFT AND RIGHT SIDE TO BE REMOVED FOR CABLE ENTRY/EXIT TO AND FROM WALL AND LECTERN. KNOCKOUT OPENINGS TO BE PROTECTED WITH 1.5" RUBBER GROMMETS OR RINGS. WIRE BUNDLES TO BE JACKETED IN WRAP-AROUND BRAIDED SLEEVING (BTX IN-XSW2BK OR SIMILAR) FOR ENTIRE LENGTH. OPTIONALLY: IT MAY BE REQUESTED TO DRILL .3" HOLES FOR WIRE PASSTROUGH ON EITHER OR BOTH SIDES OF THE RACK. HOLES TO BE LINED WITH MIDDLE ATLANTIC GR-30 MATERIAL. CONSULT WITH UK AV SERVICES ON WHICH OPTION TO CHOOSE.
 - WIRE MANAGEMENT TO BE PERFORMED IN A CLEAN AND PROFESSIONAL MANNER USING LACER BARS AND HOOK-AND-LOOP FASTENERS. ALL WIRES TO BE LABELED IN ACCORDANCE WITH CONVENTIONS ON THIS PAGE. UNLESS OTHERWISE NOTED, ADHERE TO AVIXA STANDARD F502.01:2018.

EQUIPMENT RACK ELEVATION

- 21: QBP-2
- 20: EB1
- 19/18: U2V + DELL PC
- 17: QBP-2
- 16: EB1
- 15: EB1 (FUTURE MIC)
- 14: EVT1
- 13: EVT1
- 12: ECHO PRO
- 11: EVT1
- 10: LMS1 + AM-3100-WF
- 9: RSP123 + HDMI DA2
- 8: EVT 1
- 6/7: DTP3 CP 622 IPCP
- 5: EVT1
- 4: RLNK-91SR
- 3: RLNK-91SR
- 2: EB1 (FUTURE AMP)
- 1: EB1 (FUTURE AMP)



- LINE 1 LABELS SHALL:
- LINE 2 -BE PRINTED BLACK-ON-WHITE IN
- LINE 3 WIRE-WRAP FORMAT (SEE LEFT)
- LINE 1 -BE 3/4" IN WIDTH
- LINE 2
- LINE 3 -BE CONSTRUCTED OF FLEXIBLE
- LINE 1 NYLON FABRIC
- LINE 2
- LINE 3 (BRADY M21-750-499, DYMO 18489, OR SIMILAR)

FORMAT	EXAMPLE SOURCE AUDIO CON	EXAMPLE SOURCE VIDEO CON	EXAMPLE SOURCE LAN CON	EXAMPLE DEVICE POWER CON	EXAMPLE AV SW AUDIO CON	EXAMPLE AV SW VIDEO CON	EXAMPLE SWITCH LAN CON	EXAMPLE PDU POWER CON
WIRE ID DEST TERM	AUD-001 IN1808 MIC 1 AUD-001 IN1808 MIC 1 AUD-001 IN1808 MIC 1	HDM-008 IN1808 HDMI 3 HDM-008 IN1808 HDMI 3 HDM-008 IN1808 HDMI 3	CAT-002 SWITCH PORT 1 CAT-002 SWITCH PORT 1 CAT-002 SWITCH PORT 1	T SURGE 2 T SURGE 2 T SURGE 2	AUD-001 MIC 1 MX393 AUD-001 MIC 1 MX393 AUD-001 MIC 1 MX393	HDM-008 HDMI 3 DOC CAM HDM-008 HDMI 3 DOC CAM HDM-008 HDMI 3 DOC CAM	CAT-002 PORT 1 PC CAT-002 PORT 1 PC CAT-002 PORT 1 PC	2 ECHO 2 ECHO 2 ECHO

WIRE LABELING CONVENTIONS

274100D04 Double Projection
Classroom Schematics
Revised 04/2026

Scale: 2" = 1'-0"

Created 9/6/2024
Modified 4/30/2026

Standard Dual Projection
Classroom

Elevation View