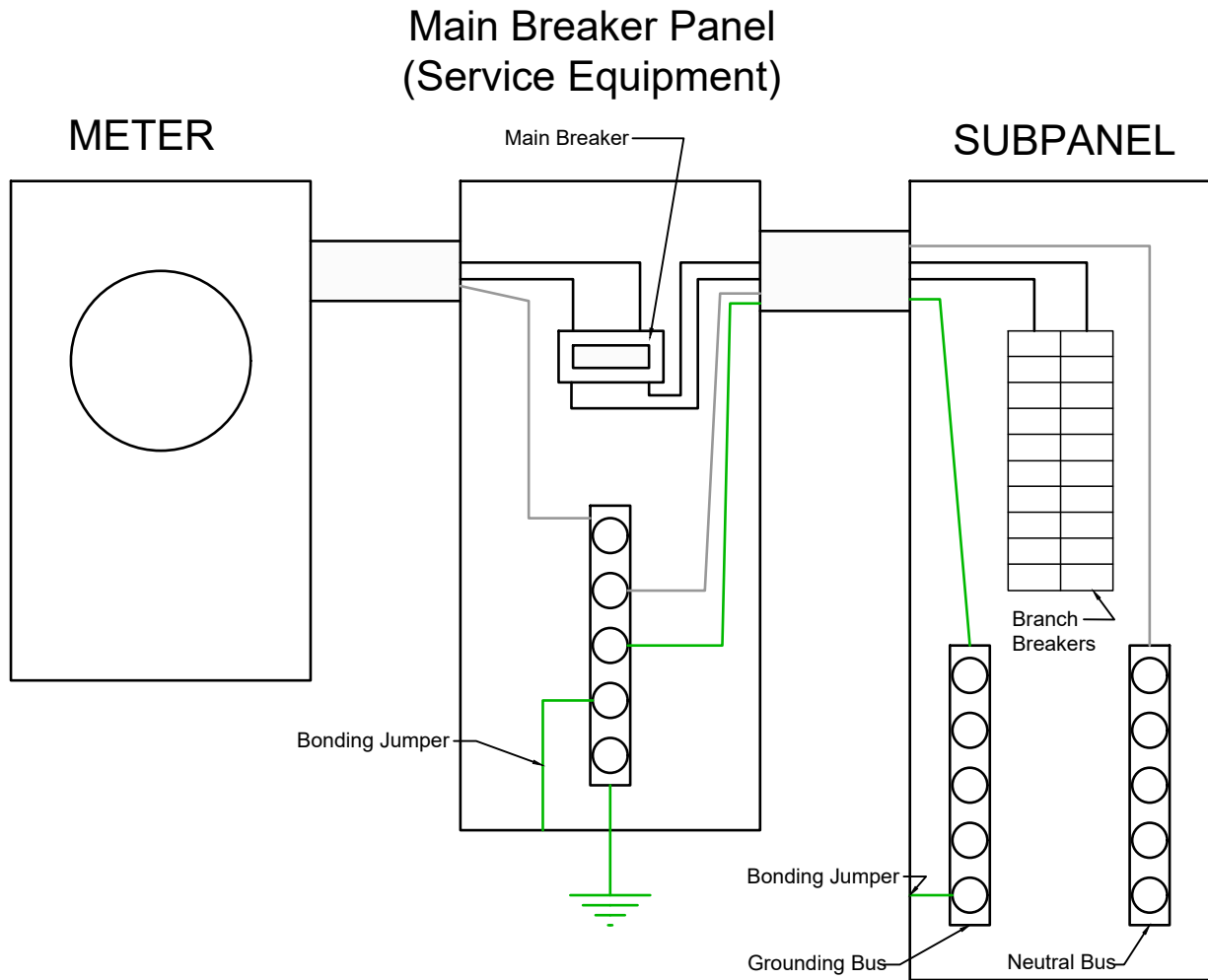
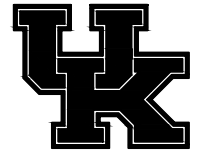


# 260526D01 GROUNDING & BONDING FOR ELECTRICAL SYSTEMS



NEUTRAL CONDUCTOR = grey \_\_\_\_\_  
HOT CONDUCTORS - black \_\_\_\_\_  
GROUNDING CONDUCTORS = green \_\_\_\_\_