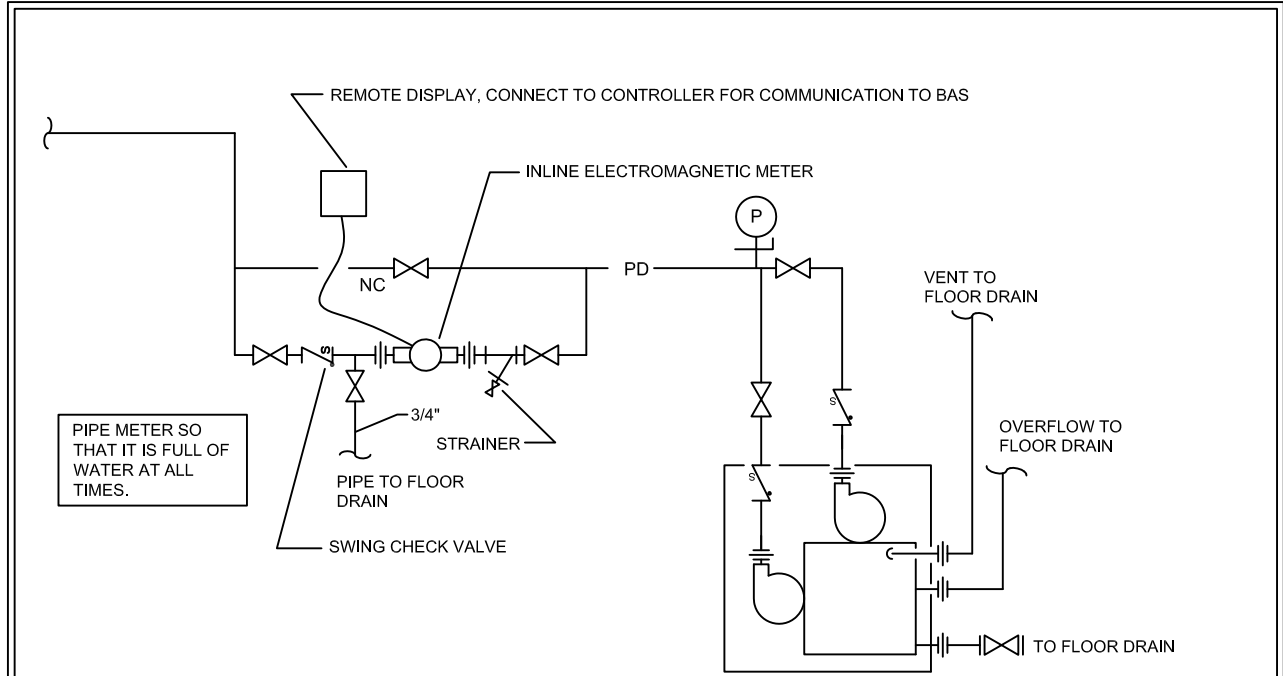


232200D06 STEAM & CONDENSATE PIPING & PUMPS

Condensate Meter Installation



TYPICAL CONDENSATE METER DETAIL

NO SCALE

NOTES:

1. Place the meter in the the condensate pump discharge line just inside the wall where the line leaves the building.
2. All building condensate must pass through the meter.
3. The meter is to register in gallons.
4. Locate flow meter on a straight run of pipe, free from bends, tees, valves, and other obstructions, with 3 pipe diameters upstream and 2 pipe diameters downstream.
5. Flow meter shall be installed horizontally. May be installed vertically with upward water flow if siting requires.
6. Remote display mounting height 12 inches to 60 inches A.F.F.
7. Local readout Display is to be in a NEMA 4 enclosure at minimum.
8. Bypass piping should be at same elevation as meter.
9. Condensate meter piping should be designed such that meter is full of water at all times.
10. Temperature rating: 250° Pressure: 150 psig



UNIVERSITY OF KENTUCKY DESIGN & CONSTRUCTION STANDARDS

| | | | | |
|----------------------|--|---------------------------------------|--|------------------------------|
| DRAWN BY <u>MA</u> | REVISION <u>JLJ</u> DATE <u>04/25/90</u> | REVISION <u>.</u> DATE <u>01/2013</u> | TITLE : CONDENSATE METER INSTALLATION | DRAWING NO. 232200D07 |
| APP. BY <u>MA</u> | RLM 11/26/90 | BMR 09/2018 | | |
| DATE <u>11/16/88</u> | MJD 12/03/92 | BMR 07/2019 | | |